

PAC International



REAL SOLUTIONS IN CONSTRUCTION

NOISE CONTROL SOLUTIONS

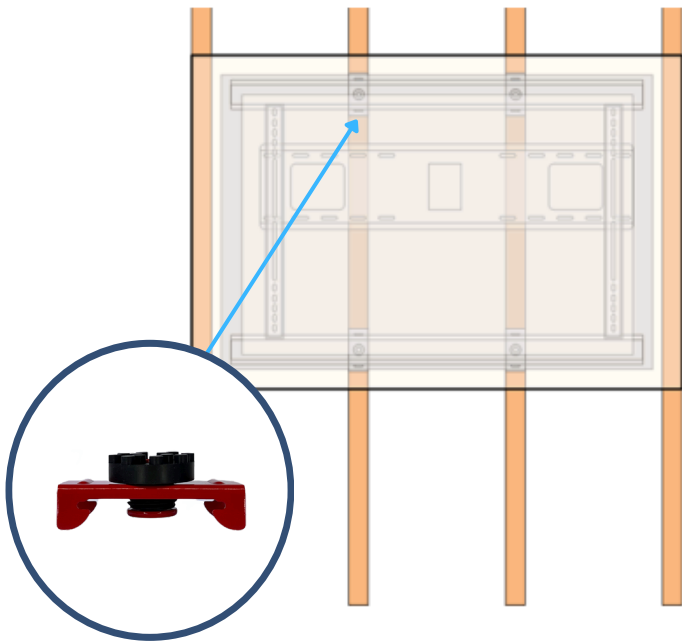


RSIC®-FS

TV MOUNTING SYSTEM

PAC International, LLC.
World Class Noise Control Solutions
Canby, OR – Las Vegas, NV
866-774-2100
info@pac-intl.com
www.pacinternationallc.com

FLAT SCREEN TV MOUNTING SYSTEM

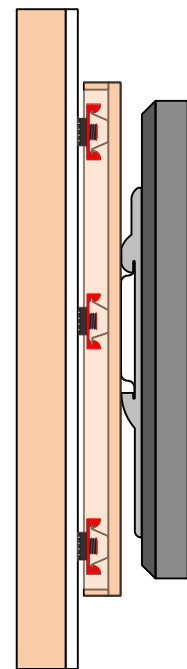


The RSIC-Flat Screen Isolation system decouples the TV from the wall and from vibrations. The new flat TV's create roughly the same amount of noise out the back of the television as the front resulting in unhappy neighbors. Even though the speakers are small and seem too weak to cause any trouble, the proximity to the wall gives the small speakers much more power than most walls can acoustically stop. The RSIC-FS system decouples and reflects the noise back into the intended room reducing the noise in the adjacent space.

SPECIFICATIONS

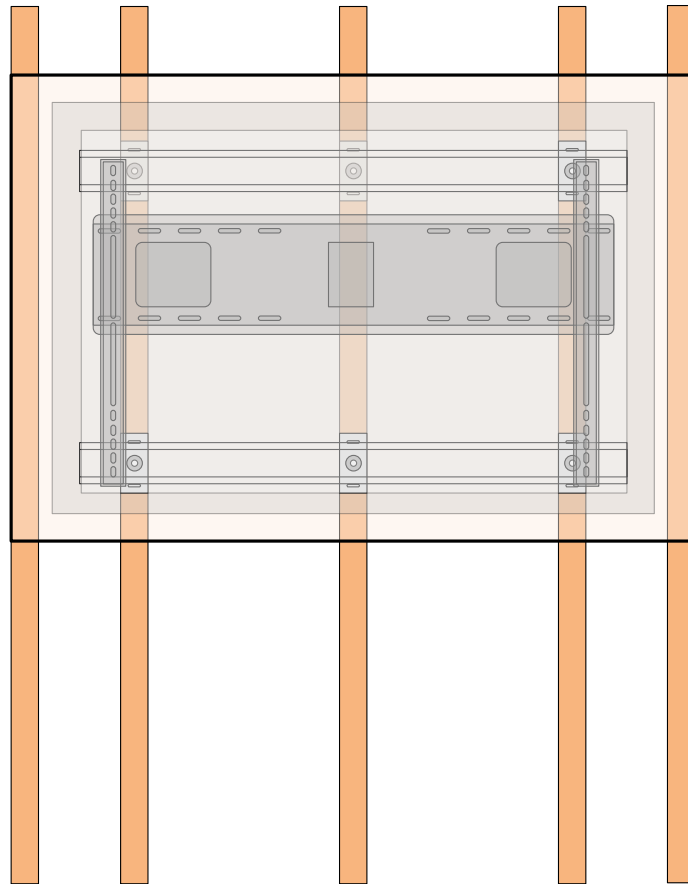
Acoustical Design Load	120 Lb or 200 Lb options
Total Deflection	3 mm
Adjustable	No
Cavity Minimum	1 5/8"
Cavity Maximum	1 5/8"
Use in Ceilings	No
Use in Walls	Yes
Use in New Construction	Yes
Use in Retrofit	Yes
Made in USA	Yes

SIDE PROFILE



UP TO 120 LBS
shown above





Reduces the direct transfer of noise through the wall your TV is mounted to



Offers easy solution for existing and new construction



Universal design compatible with most residential and commercial applications



Great addition to hospitality designs

