

RSIC-1 ® INSTALLATION GUIDE

RSIC-1 ® SOUND ISOLATION CLIP

- Concrete
- CMU



RSIC-1®

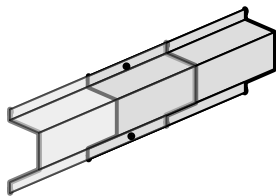
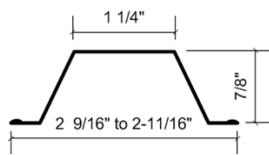
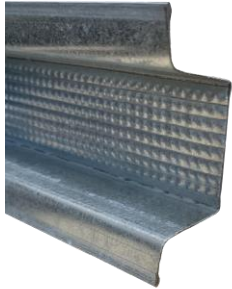


PAC International, LLC. Tel: (866) 774-2100 Web Site: www.pac-intl.com

©PAC International, LLC. All Rights Reserved. • (866) 774-2100 • Fax (866) 649-2710
RSIC® is a registered Trade Mark.

RSIC-1 ® INSTALLATION GUIDE

RSIC-1 ® SOUND ISOLATION CLIP



Drywall Furring Channel:

- **Minimum Requirements:** 0.0018" (18 mil) thick 25 gauge, hemmed edge detail required on all furring channel. Meets or exceeds SFIA and SSMA requirements.
- **Depth:** 7/8 inch
- **Width Bottom:** 2-9/16" to 2-11/16" inch wide nominal.
- **Width Top:** 1-1/4 inch wide
- **Max spacing:** 24 inches oc.

Splice drywall furring channel (hat track) with 6 inch overlap in mid span (between two clips) secure with 18 ga tie wire, or two 7/16" framing screws.

Drywall Furring Channel Overlap:

- Overlap drywall furring channel mid span in between RSIC clips and fasten together with 2 Steel framing screws



Resilient Sound Isolation Clip (RSIC-1 ®)

- **Maximum Spacing:** 48 inches on center
- **Maximum Acoustical Design Load:** 36 lbs

RSIC-1 ® Dimensions:

- RSIC-1 clip 3" tall
- RSIC-1 clip 1-1/4" deep
- RSIC-1 and drywall furring channel 1-5/8" deep



Fasteners:

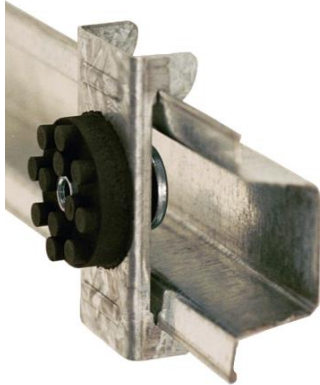
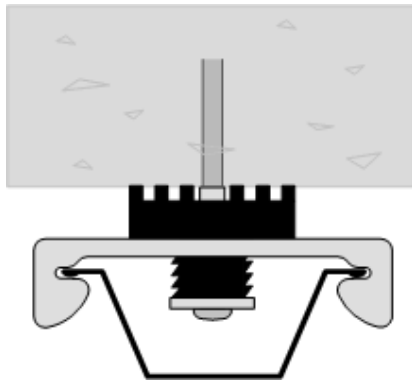
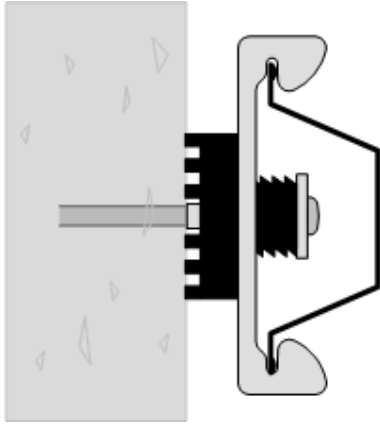
- **RSIC-1 to Concrete or CMU:** 1/4" drop in anchor, 1/4" drive spike, 3/16" x tapcon, shoot in pin with washer, or product with equal load capabilities (Minimum 120lbs Ultimate, Shear and Pullout).
- Length of fastener determined by the concrete type, strength, and fastener min embed requirements.
- Call for information on additional approved fasteners.

PAC International, LLC. Tel: (866) 774-2100 Web Site: www.pac-intl.com

©PAC International, LLC. All Rights Reserved. • (866) 774-2100 • Fax (866) 649-2710
RSIC® is a registered Trade Mark.

RSIC-1 ® INSTALLATION GUIDE

RSIC-1 ® SOUND ISOLATION CLIP



WALLS: One and Two Layers of 5/8" Gypsum Board

- Resilient Sound Isolation Clips (RSIC-1 ®) shall be 48 x 24 inches maximum on center (horizontal).
- Fasten the Resilient Sound Isolation Clip (RSIC-1 ®) to the substrate with a fastener approved for a minimum pull-out and shear of 120 lbs.
- Ensure the internal metal ferrule is tight to the substrate. • Locate the first row of RSIC-1 ® clips within 3 inches from the floor and within 6 inches from the ceiling.
- Snap in the drywall furring channel (hat track) into the RSIC-1 ® clips (horizontal for walls). (see page 2 for splice details) Channel max spacing 24 inches oc.
- Place 1/8" (minimum) shim on floor to fully support the gypsum board.
- Install the gypsum board from the bottom up leaving a 1/4" min. gap around the perimeter of the wall.
- ONLY remove the shims after ALL the gypsum board is completely screwed to ALL the drywall furring channels. Make sure every screw (floor to ceiling and wall to wall) is installed as required by the assembly design, in every layer of gypsum board before removing the shims at the floor. The shims are critical to ensure best results.
- Caulk around the entire perimeter of the gypsum board. Use fire and smoke rated acoustical sealant where required.

Ceilings: One and Two Layers of 5/8" Gypsum Board

- Resilient Sound Isolation Clips (RSIC-1 ®) shall be 48 x 24 inches maximum on center.
- Fasten the Resilient Sound Isolation Clip (RSIC-1 ®) to the substrate with a fastener approved for a minimum pull-out and shear of 120 lbs.
- Ensure the internal metal ferrule is tight to the substrate.
- Locate the first row of RSIC-1 ® clips within 8 inches of the wall at each end of a run.
- Snap in the drywall furring channel (hat track) into the RSIC-1 ® clips. Channel max spacing 24 inches oc.
- Install the gypsum board from leaving a 1/4" min. gap around the perimeter of the ceiling.
- Caulk around the entire perimeter of the gypsum board. Use fire and smoke rated acoustical sealant where required.

General Information:

- Refer to www.UL.com, or www.pac-intl.com for complete installation details on all fire resistive assembly designs.
- Resilient Sound Isolation Clip (RSIC-1 ®), furring channel (hat track) and gypsum board shall not carry heavy loads such as cabinets, bookshelves, dropped ceilings, light fixtures, speakers, televisions, headboards, or floating vanities.
- Splice furring channel (hat track) with 6 inch overlap in mid span, secure with 18 ga. tie wire or with two framing screws (7/16")
- Seal all potential air leaks with non-hardening acoustical caulking to achieve best noise control results. Use fire rated sealant where required.
- When attaching the RSIC-1 ® clips to a steel stud the minimum allowable thickness is 20 ga. (0.030).

Fire Test Information:

Approved for use in over 150 different UL fire resistive design assemblies.

Check our website for the latest updates of the fire testing approvals

WWW.PAC-INTL.COM

Check UL Fire Resistance Directory File # R16638

Check UL's web pages. www.ul.com/database

Contact UL (877) UL- HELPS



PAC International, LLC. Tel: (866) 774-2100 Web Site: www.pac-intl.com

©PAC International, LLC. All Rights Reserved. • (866) 774-2100 • Fax (866) 649-2710

RSIC® is a registered Trade Mark.

RSIC-1 ® INSTALLATION GUIDE

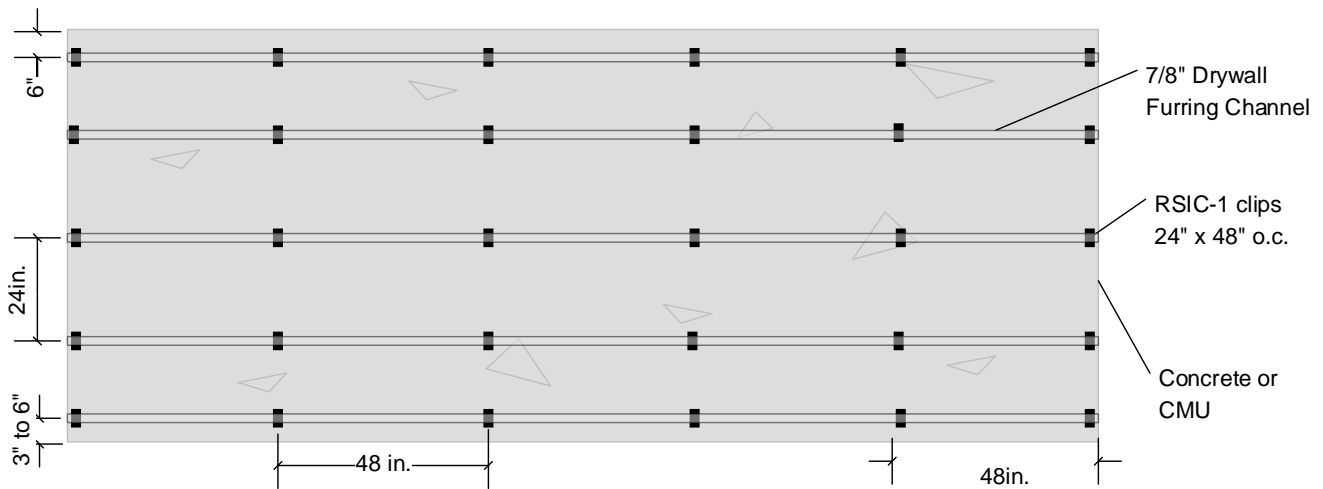
RSIC-1 ® SOUND ISOLATION CLIP

APPLICATION RECOMMENDATIONS FOR WALLS AND
CEILINGS, CONCRETE OR CMU.

INSTALLING RESILIENT SOUND ISOLATION CLIPS (RSIC-1 ®)

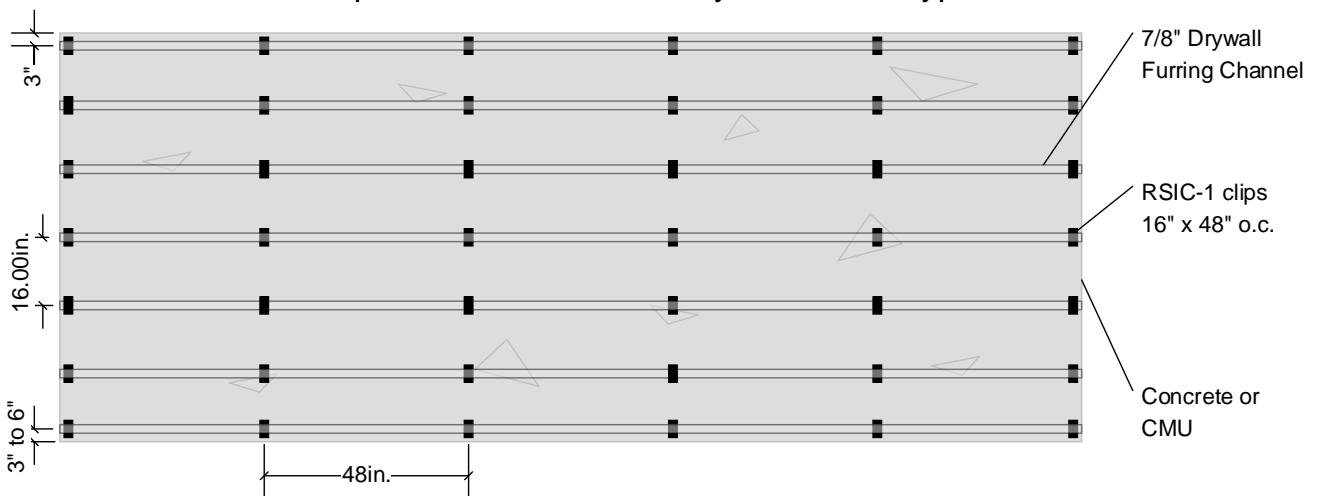
RSIC-1 ® Wall or ceiling system at 24" O.C.

RSIC-1 ® Clips at 24" x 48" O.C. 1 or 2 layers of 5/8" Gypsum board



RSIC-1 ® Wall or ceiling system framing at 16" O.C.

RSIC-1 ® Clips at 24" x 48" O.C. 1 or 2 layers of 5/8" Gypsum board



PAC International, LLC. Tel: (866) 774-2100 Web Site: www.pac-intl.com

©PAC International, LLC. All Rights Reserved. • (866) 774-2100 • Fax (866) 649-2710

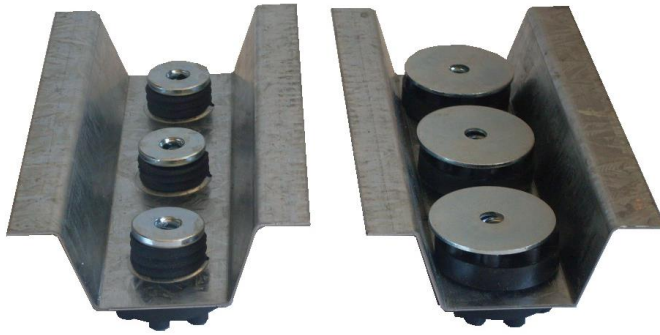
RSIC® is a registered Trade Mark.

RSIC-1 ® INSTALLATION GUIDE

RSIC-1 ® SOUND ISOLATION CLIP

APPLICATION RECOMMENDATIONS FOR WALLS AND
CEILINGS, WOOD OR STEEL FRAMING

INSTALLING RESILIENT SOUND ISOLATION CLIPS (RSIC-1 ®)



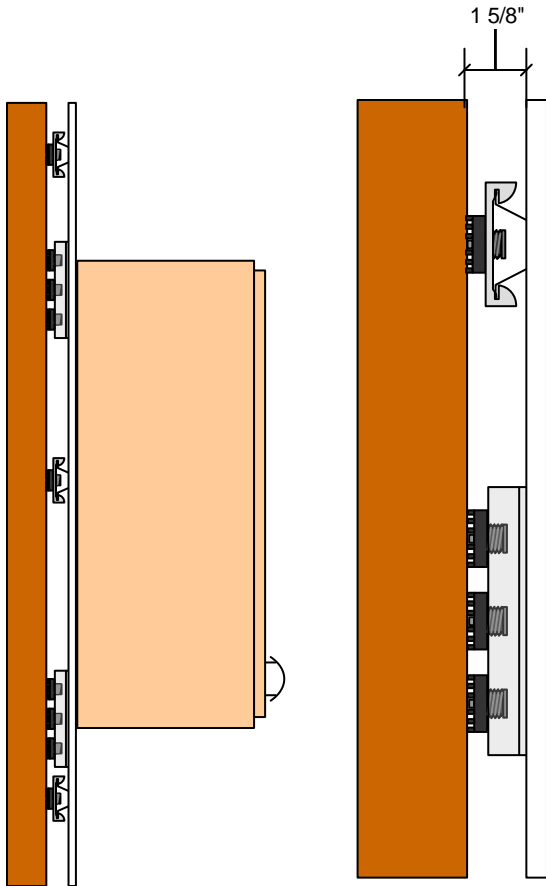
RSIC-Backer

RSIC-Backer HD

RSIC-Backer RSIC-Backer HD

The RSIC-Backer series is a heavy duty mount used together with the RSIC-1 ® clips, creating the only complete noise isolation system that can support heavy items. The RSIC-Backer can be used in new construction or retrofit. The RSIC-Backer should be used when items need to be acoustically decoupled for noise and vibration isolation.

A few examples of the possible uses for the RSIC-Backer series of noise control clips: Cabinets, Chalk boards, Projector screens, Handicap grab bars, Lockers, TV wall mount support, Handrails, Library Shelves.



RSIC-Backer specifications:

Acoustical design load: STD	108 Lbs
Acoustical design load: HD	216 Lbs
Total deflection	3 mm
Double deflection	Yes (1.5 mm)
Made with Recycled content	Yes
Low VOC treated	Yes
Adjustable	No
Cavity min	1-5/8"
Cavity Max	1-5/8"
Adjustment limit	N/A
Use on Ceilings	Yes
Use on walls	Yes
New Construction	Yes
Retro Fit	Yes
Assembled in USA	Yes

PAC International, LLC. Tel: (866) 774-2100 Web Site: www.pac-intl.com

©PAC International, LLC. All Rights Reserved. • (866) 774-2100 • Fax (866) 649-2710

RSIC® is a registered Trade Mark.