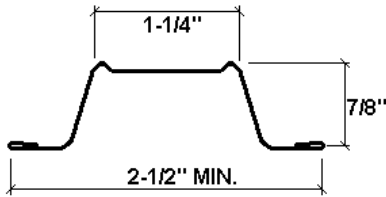
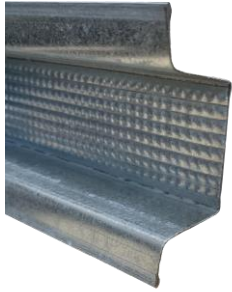


RSIC-SI-X ADM Multi Clip

PAC International, LLC. Tel: (866) 774-2100 Web Site: www.PACInternationalLLC.com

PAC International, LLC. All Rights Reserved. • (866) 774-2100 • Fax (866) 649-2710
RSIC® is a registered Trade Mark of PAC International, LLC.

RSIC-SI-X ADM MULTI CLIP INSTALLATION GUIDE

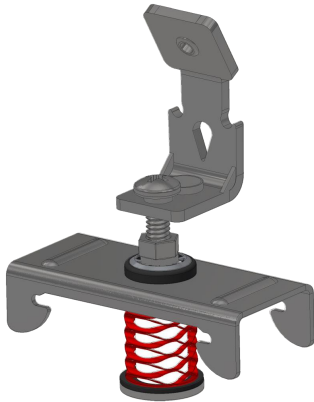


Drywall Furring Channel:

- **Channel:** 25 gauge with hemmed edge required. Meets or exceeds SSMA requirements.
- **Depth:** 7/8 inch
- **Width Bottom:** 2-9/16" to 2-11/16" inch wide nominal.
- **Width Top:** 1-1/4 inch wide

Splice drywall furring channel (hat track) with 6 inch overlap in mid span (between two clips) secure with 18 ga tie wire, or two 7/16" framing screws.

Fasteners:



• **RSIC-SI-X ADM to Concrete:**

The RSIC-SI-X ADM Multi Clip is shot into the concrete with a gas, or powder actuated 3/4" pin min. Please verify use of pin is allowed for overhead installations.

• **RSIC-SI-X ADM to Wood:**

The RSIC-SI-X ADM Multi Clip is fastened to the wood frame with min #7 x 1-5/8" coarse thread screw

• **RSIC-SI-X ADM to Steel:**

The RSIC-SI-X ADM Multi Clip is fastened to the steel frame with min #7 x 1" fine thread screw

- **Call for information on additional approved fasteners**

26 Lb

13 Lb

7 Lb

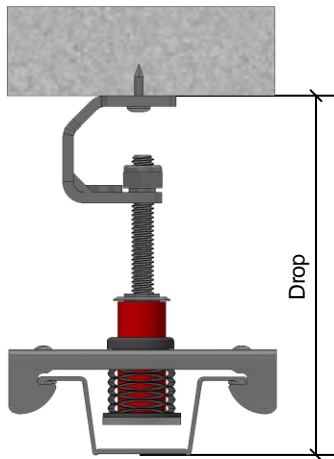
Resilient Sound Isolation Clip (RSIC-SI-X Spring)

- **Maximum Spacing:** 48 inches on center
- **Design Load at 3/8" deflection from free height**
- **Red = 26 Lbs**
- **Blue = 13 Lbs**
- **White = 7 Lbs**

RSIC-SI-X ADM MULTI CLIP INSTALLATION GUIDE

Ceilings:

- Resilient Sound Isolation Clips (RSIC-SI-X ADM) maximum spacing 16" x 48" or 24" x 32" on center .
- Layout the RSIC-SI-X ADM clips according to general guidelines represented in this installation manual.
- Any additional or non standard room dimensions need to be addressed.
- Verify the correct quantity of each RSIC-SI-X ADM isolators (weight / color) is included in the shipment.
- Layout the RSIC-SI-X ADM clips out on the floor (reflecting the ceiling above) Ensure there are no additional items required to complete the installation.
 - Red 26 Lb clips are for the field
 - Blue 13 Lb clips are for the field, edge.
 - White 7 Lb clips are for edge, corner, and or infill where additional support is needed
- Install RSIC-SI-X ADM Multi Clip to concrete with powder or gas actuated 3/4" pin minimum
- Install RSIC-SI-X ADM Multi Clip to Wood or Steel frame with approved fastener from previous page
- Bend the RSIC-SI-X ADM clip down until it is parallel with the floor.
- Adjust the height of the RSIC-SI-X on the threaded rod/bolt to desired height.
- Lock RSIC-SI-X ADM into final elevation with jam/lock nut
- Ensure the metal ferrule is tight to the washer, slightly compressing the rubber
- Install the furring channel (hat track) into the RSIC-SI-X ADM clips. maximum spacing is 24" oc.
- Install the gypsum board leaving a 1/4" min. gap around the gypsum board ceiling.
- Caulk around entire perimeter of the gypsum board. Use fire rated sealant where required.



RSIC-SI-X ADM Multi Clip		
Screw Length	Min Drop	Max Drop
1-1/2"	2-1/8"	3-3/4"
2"	2-1/2"	4-1/4"
2-1/2"	3-1/8"	4-3/4"
3"	3-1/2"	5-1/4"
3-1/2"	4-1/8"	5-3/4"
4"	4-1/2"	6-1/4"
5"	5-1/2"	7-1/4"
6"	6-1/2"	8-1/4"

General Information:

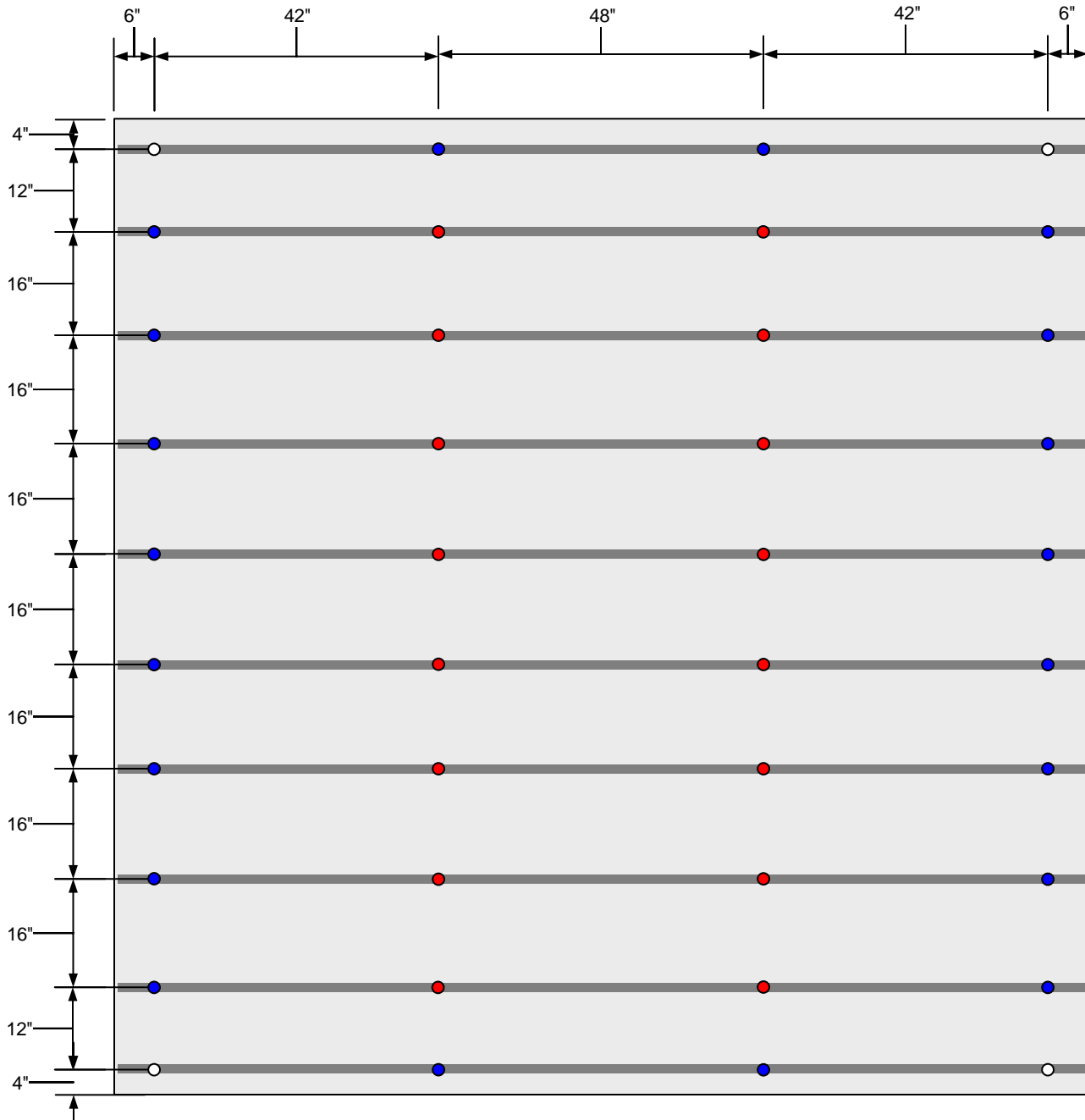
- Resilient Sound Isolation Clip (RSIC-SI-X ADM), furring channel (hat track) and gypsum board shall not carry heavy loads such as cabinets, book shelves, or light fixtures without additional RSIC supports.
- Splice furring channel (hat track) with 6 inch overlap in mid span, secure with 18 ga. tie wire or with two framing screws (7/16").
- Seal all potential air leaks with non-hardening acoustical caulking to achieve best noise control results . Use fire rated sealant where required.

PAC International, LLC. Tel: (866) 774-2100 Web Site: www.PACInternationalLLC.com

PAC International, LLC. All Rights Reserved. • (866) 774-2100 • Fax (866) 649-2710
RSIC® is a registered Trade Mark of PAC International, LLC.

RSIC-SI-X ADM MULTI CLIP INSTALLATION GUIDE

RSIC-SI-X ADM SPRING INSTALLATION ON CONCRETE RSIC-SI-X ADM @ 16" OC.



PAC International, LLC. Tel: (866) 774-2100 Web Site: www.PACInternationalLLC.com

PAC International, LLC. All Rights Reserved. • (866) 774-2100 • Fax (866) 649-2710

RSIC® is a registered Trade Mark of PAC International, LLC.